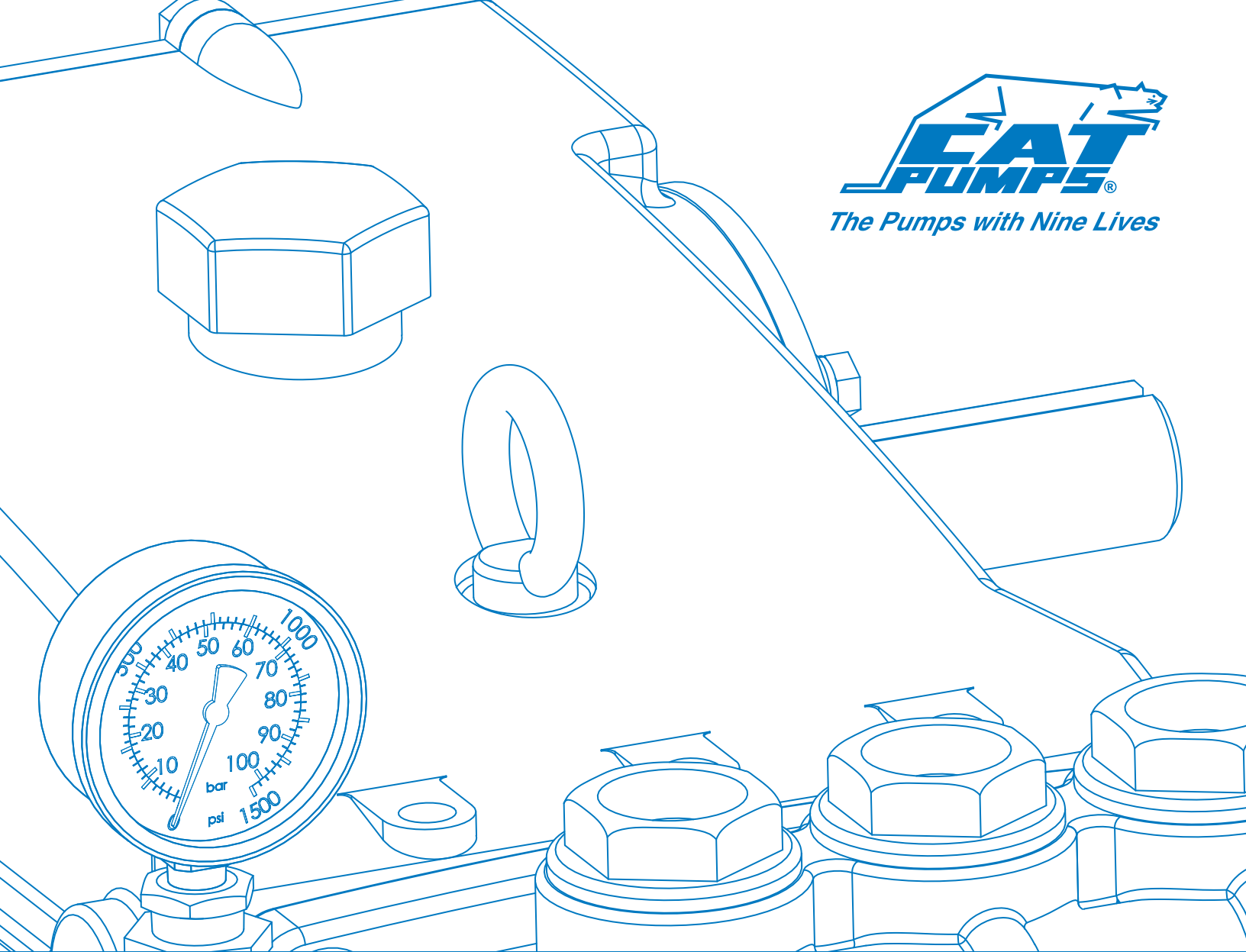




The Pumps with Nine Lives



Pump Catalog

Value focused by exceeding expectations for quality, reliability and support.



Choose Cat Pumps and Build Your Bottom Line



Durability and Reliability Start Here

Cat Pumps' global mission is to exceed every customer's expectation for quality, reliability, product availability, delivery and technical support. For over four decades this mission has been the foundation of the company's ongoing success.

By providing proven, quality triplex positive displacement pumps, Cat Pumps has earned a reputation for exceptional product durability and reliability. Industries served include commercial cleaning, manufacturing, the process industries, government, military, vehicle cleaning, agriculture, food processing, the misting/cooling/fogging industry, plus many more. Customers select its pumps due to the low-life cycle cost, which provides exceptional value over the life of the system. In fact, Cat Pumps still has pumps running after more than three decades of reliable service. The organization continues to invest in new products and technologies to provide the innovation you have come to expect from Cat Pumps.



Product Performance Range:

A wide range of pump options are available, including a variety of products which meet various certifications and directives (i.e., ATEX).

- Flow: 0.13 to 240 gpm (.061 to 908 lpm)
- Pressure: 100 to 10,000 psi (7 to 689 bar)
- RPM: 100 to 3,450
- Liquid Temperature: -10° to 240°F (-23° to 116°C)
- Materials: Brass, Nickel Aluminum Bronze, 304 and 316 Stainless Steel, Duplex Stainless Steel
- Drives: Electric, Engine, Hydraulic, Pneumatic

Investing in our Products

Generating superior user confidence and providing outstanding value, Cat Pumps built its reputation on the dependability and reliability of its products. A comprehensive distributor network locally stocks pumps, repair kits and accessories. They will be happy to help you with pump selection and system design requirements.



Manifold Design

- Precision machined high-strength forged manifolds provide a superior sealing surface for consistently longer seal life when compared to competitive designs.
- Proprietary seal materials and designs offer unmatched performance, often providing two to three times longer seal life than competitors' pumps.
- A variety of optional seals/elastomers are available to handle special applications.
- Manifolds are available in different materials, meeting the requirements needed for various liquids.
- Stainless steel valves, seats and springs provide corrosive-resistant performance and extended service life.

Drive Design

- Drive components are designed to meet continuous-duty industrial applications, consistently out performing competitor's designs.
- Proprietary ceramic plungers provide maximum resistance to corrosion and abrasion, maximizing seal life and outperforming all others.
- Heavy Duty ball and roller bearings provide long life without repair.
- Hardened crankshafts and connecting rods are sized to minimize surface speed at the journal, contributing to lower temperature operation and longer drive life.

Product Ordering

Using This Catalog

The plunger and piston pump sections of this catalog are organized by manifold material and flow rate range. Each pump chart has a column titled "Pump Model." The model number in this column represents the standard pump model offering equipped with Buna seals and O-rings.

Standard Buna pump seals and/or O-rings can be changed. Other seal materials will be listed in the "Optional Seals" column of the pump charts. You will need to add a suffix to the standard model number that represents your desired new seal material.

Optional Seal and O-Ring Configurations

| MATERIAL CODE | DESCRIPTION | PUMP MODEL SUFFIX |
|---------------|--|-------------------|
| FPM | Fluorocarbon (Viton®) seals and O-rings | .0110 |
| | Fluorocarbon (Viton®) seals only | .0100 |
| PTFE | Pure Polytetrafluoroethylene (Teflon®) seals and Buna O-rings | .0700 |
| | Pure Polytetrafluoroethylene (Teflon®) seals and FPM O-rings | .0710 |
| IPFE | Pure Polytetrafluoroethylene (Teflon®) seals and Isolast O-rings | .0770 |
| EPDM | Ethylene Propylene Diene Monomer seals and O-rings | .0220 |
| NBRS | Buna-N silicone free seals and O-rings | .6000 |
| STHT | Special Teflon® high temperature low and high pressure seals | .3400 |
| HT | High temperature seal for plunger pump high pressure seals | .3000 |
| | High temperature V-HOT cup for piston pumps | .3000 |
| BNG | Blue-dot (non-greased) Buna-N seals with wicks for piston pumps | .0300 |
| ST4 | Special Teflon® high temperature low and high pressure seals with FPM O-rings for 240°F operation. | .4410 |

Viton® and Teflon® are registered trademarks of DuPont Dow Elastomers.

Example

Pump model 3535 can be changed from Buna to either FPM or EPDM. To convert pump model 3535 from Buna seals and O-rings to FPM (Viton®), you would add the suffix (.0110) to the standard pump model number (3535.0110). Use this new number when ordering the pump.

| PUMP MODEL | MAXIMUM FLOW | | MAXIMUM PRESSURE | | HORSEPOWER | | RPM | DRIVES | OPTIONAL ¹ SEALS |
|------------|--------------|-----|------------------|-----|------------|----|-----|--------|-----------------------------|
| | GPM | LPM | PSI | BAR | HP | KW | | | |

BRASS MANIFOLDS WITH BUNA SEALS 6.7 TO 75 GPM (25 TO 284 LPM)

Note: Models ending in the letter "C" or "K" are flush style pumps. Pumps in italics indicate an optional performance rating. * Intermittent Duty Only.

| | | | | | | | | | |
|-------|----|-----|------|-----|------|------|------|------|-----------|
| 3560 | 25 | 95 | 3000 | 210 | 51.4 | 38.3 | 1450 | Belt | FPM |
| 3535 | 36 | 136 | 1200 | 85 | 29.7 | 22.1 | 800 | Belt | FPM, EPDM |
| 3535C | 36 | 136 | 1200 | 85 | 29.7 | 22.1 | 800 | Belt | FPM, EPDM |

¹ Selection of an optional seal requires a suffix addition to the base model number. For more information see page 5.

Plunger Pumps

BRASS MANIFOLDS



2SF20ES



3CP1130
(Rails and shaft protector sold separately)



2DX30GS

| PUMP MODEL | MAXIMUM FLOW | | MAXIMUM PRESSURE | | HORSEPOWER | | RPM | DRIVES | OPTIONAL ¹ SEALS |
|--|--------------|------|------------------|-----|------------|------|------|---------------------------------|-----------------------------|
| | GPM | LPM | PSI | BAR | HP | KW | | | |
| BRASS MANIFOLDS WITH BUNA SEALS 0.13 TO 2.85 GPM (0.49 TO 10.8 LPM) | | | | | | | | | |
| 1CX013ELSD251 | 0.13 | 0.49 | 1000 | 70 | 0.12 | 0.09 | 1725 | Hollow shaft-electric | Contact Cat Pumps |
| 1CX025ELSD251 | 0.25 | 0.95 | 1000 | 70 | 0.24 | 0.18 | 1725 | Hollow shaft-electric | Contact Cat Pumps |
| 1CX05ELSD501 | 0.5 | 1.89 | 1000 | 70 | 0.47 | 0.35 | 1725 | Hollow shaft-electric | Contact Cat Pumps |
| 2DX05ELS.MIST | 0.5 | 1.89 | 2000 | 140 | 0.68 | 0.51 | 1725 | Hollow shaft-electric | Contact Cat Pumps |
| 2SF10ES | 1 | 3.8 | 2000 | 140 | 1.4 | 1 | 3450 | Hollow shaft-electric | FPM, EPDM, HT |
| 2DX15ES.MIST | 1.5 | 5.7 | 2000 | 140 | 2 | 1.5 | 3450 | Hollow shaft-electric | Contact Cat Pumps |
| 2DX20ES | 2 | 7.6 | 2000 | 140 | 2.7 | 2 | 3450 | Hollow shaft-electric | Contact Cat Pumps |
| 2DX20ES.MIST | 2 | 7.6 | 2000 | 140 | 2.7 | 2 | 3450 | Hollow shaft-electric | Contact Cat Pumps |
| 2SF20ES | 2 | 7.6 | 2000 | 140 | 2.7 | 2 | 3450 | Hollow shaft-electric | FPM, EPDM, HT |
| 2SFX20ES | 2 | 7.6 | 2000 | 140 | 2.7 | 2 | 3450 | Hollow shaft-electric | FPM, HT |
| 2SF22ELS | 2.2 | 8.3 | 2000 | 140 | 3 | 2.2 | 1725 | Hollow shaft-electric | FPM, EPDM, HT |
| 2SF22ES | 2.2 | 8.3 | 2000 | 140 | 3 | 2.2 | 3450 | Hollow shaft-electric | FPM, EPDM, HT |
| 2SFX22ES | 2.2 | 8.3 | 2000 | 140 | 3 | 2.2 | 3450 | Hollow shaft-electric | FPM, HT |
| 230 | 2.3 | 8.7 | 1500 | 105 | 2.4 | 1.8 | 1725 | Solid shaft, Belt, Bell, Clutch | FPM, EPDM, IPFE, STHT, HT |
| 3CP1130 | 2.4 | 9 | 2200 | 155 | 3.6 | 2.7 | 1725 | Solid shaft, Belt, Bell, Clutch | FPM, EPDM, STHT, HT, ST4 |
| 3DNX25GSI | 2.5 | 9.5 | 2850 | 196 | 4.9 | 3.7 | 3450 | Hollow shaft-gas | Contact Cat Pumps |
| 2DX27ES.MIST | 2.7 | 10.2 | 2000 | 140 | 3.7 | 2.8 | 3450 | Hollow shaft-electric | Contact Cat Pumps |
| 3DNX27GSI | 2.7 | 10.2 | 2850 | 196 | 5.3 | 4.0 | 3450 | Hollow shaft-gas | Contact Cat Pumps |
| 2SF29ELS | 2.85 | 10.8 | 1500 | 105 | 2.9 | 2.2 | 1725 | Hollow shaft-electric | FPM, EPDM, HT |

¹ Selection of an optional seal requires a suffix addition to the base model number. For more information see page 5.



310
(Rails and shaft protector sold separately)



5CP2120W
(Rails and shaft protector sold separately)



66DX40G1I

| PUMP MODEL | MAXIMUM FLOW | | MAXIMUM PRESSURE | | HORSEPOWER | | RPM | DRIVES | OPTIONAL ¹ SEALS |
|--|--------------|------|------------------|-----|------------|-----|------|---------------------------------|-----------------------------|
| | GPM | LPM | PSI | BAR | HP | KW | | | |
| BRASS MANIFOLDS WITH BUNA SEALS 3 TO 4 GPM (11.4 TO 15 LPM) | | | | | | | | | |
| 2DX30ES.MIST | 3 | 11.4 | 1500 | 105 | 3.1 | 2.3 | 3450 | Hollow shaft-electric | Contact Cat Pumps |
| 2SF30ES | 3 | 11.4 | 1500 | 105 | 3.1 | 2.3 | 3450 | Hollow shaft-electric | FPM, EPDM, HT |
| 2SFX30ES | 3 | 11.4 | 1500 | 105 | 3.1 | 2.3 | 3450 | Hollow shaft-gas | FPM, HT |
| 2SF30GS | 3 | 11.4 | 2000 | 140 | 4.1 | 3.1 | 3450 | Hollow shaft-gas | FPM, EPDM, HT |
| 2SFX30GS | 3 | 11.4 | 2000 | 140 | 4.1 | 3.1 | 3450 | Hollow shaft-gas | FPM, HT |
| 2SFX30GZ | 3 | 11.4 | 2500 | 175 | 5.1 | 3.8 | 3450 | Hollow shaft-gas | FPM, HT |
| 3DX30GSI | 3 | 11.4 | 2500 | 175 | 5.1 | 3.8 | 3450 | Hollow shaft-gas | Contact Cat Pumps |
| 3SPX30G1I | 3 | 11.4 | 3000 | 210 | 6.2 | 4.6 | 3450 | Hollow shaft-gas | Contact Cat Pumps |
| 66DX30G1I | 3 | 11.4 | 4000 | 275 | 8.2 | 6.1 | 3400 | Hollow shaft-gas | Contact Cat Pumps |
| 2DX30GS | 3.1 | 11.7 | 2000 | 140 | 4.2 | 3.1 | 3450 | Hollow shaft-gas | Contact Cat Pumps |
| 270 | 3.5 | 13.2 | 1500 | 105 | 3.6 | 2.7 | 1420 | Solid shaft, Belt, Bell, Clutch | FPM, EPDM, IPFE, STHT, HT |
| 2SF35ES | 3.5 | 13.2 | 1500 | 105 | 3.6 | 2.7 | 3450 | Hollow shaft-electric | FPM, EPDM, HT |
| 2SF35GS | 3.5 | 13.2 | 2000 | 140 | 4.8 | 3.6 | 3450 | Hollow shaft-gas | FPM, EPDM, HT |
| 3CP1120G | 3.5 | 13.2 | 2200 | 155 | 5.3 | 4.0 | 3600 | Gearbox | FPM, EPDM, STHT, HT |
| 3SPX35GEI | 3.5 | 13.2 | 2500 | 175 | 6 | 4.5 | 3450 | Hollow shaft-electric | Contact Cat Pumps |
| 4SF35GS1 | 3.5 | 13.2 | 3500 | 245 | 8.4 | 6.3 | 3200 | Hollow shaft-gas | Contact Cat Pumps |
| 66DX35G1I | 3.5 | 13.2 | 4000 | 275 | 9.6 | 7.2 | 3400 | Hollow shaft-gas | Contact Cat Pumps |
| 240 | 3.6 | 13.6 | 1200 | 85 | 3 | 2.2 | 1725 | Solid shaft, Belt, Bell, Clutch | FPM, EPDM, IPFE, STHT, HT |
| 3CP1140 | 3.6 | 13.6 | 2200 | 155 | 5.4 | 4 | 1725 | Solid shaft, Belt, Bell, Clutch | FPM, EPDM, STHT, HT, ST4 |
| 340 | 4 | 15 | 1800 | 125 | 5 | 3.7 | 1725 | Solid shaft, Belt, Bell, Clutch | FPM, EPDM, IPFE, HT |
| 340B | 4 | 15 | 1800 | 125 | 5 | 3.7 | 1725 | Solid shaft, Belt, Bell, Clutch | FPM, EPDM, IPFE, HT |
| 340S | 4 | 15 | 1800 | 125 | 5 | 3.7 | 1725 | Solid shaft, Belt, Bell, Clutch | FPM, EPDM, IPFE, HT |
| 310 | 4 | 15 | 2200 | 155 | 6 | 4.5 | 950 | Belt, Clutch | FPM, EPDM, IPFE, HT |
| 310B | 4 | 15 | 2200 | 155 | 6 | 4.5 | 950 | Belt, Clutch | FPM, EPDM, IPFE, HT |
| 310S | 4 | 15 | 2200 | 155 | 6 | 4.5 | 950 | Belt, Clutch | FPM, EPDM, IPFE, HT |
| 5CP2120B | 4 | 15 | 2500 | 175 | 6.9 | 5.1 | 950 | Belt, Clutch | FPM, EPDM, STHT, HT, ST4 |
| 5CP2120W | 4 | 15 | 2500 | 175 | 6.9 | 5.1 | 950 | Belt, Clutch | FPM, EPDM, STHT, HT, ST4 |
| 5CP2140B | 4 | 15 | 2500 | 175 | 6.9 | 5.1 | 1725 | Solid shaft, Belt, Bell, Clutch | FPM, EPDM, STHT, HT, ST4 |
| 5CP2140WCS | 4 | 15 | 2500 | 175 | 6.9 | 5.1 | 1725 | Solid shaft, Belt, Bell, Clutch | FPM, EPDM, STHT, HT, ST4 |
| 4SF40ELS | 4 | 15 | 3500 | 245 | 9.6 | 7.2 | 1725 | Hollow shaft-electric | Contact Cat Pumps |
| 66DX40G1I | 4 | 15 | 4000 | 275 | 11 | 8.2 | 3400 | Hollow shaft-gas | Contact Cat Pumps |

¹ Selection of an optional seal requires a suffix addition to the base model number. For more information see page 5.

Plunger Pumps

BRASS MANIFOLDS



45G1



550

(Rails and shaft protector sold separately)



5CP3120

(Rails and shaft protector sold separately)

| PUMP MODEL | MAXIMUM FLOW | | MAXIMUM PRESSURE | | HORSEPOWER | | RPM | DRIVES | OPTIONAL SEALS |
|--|--------------|------|------------------|-----|------------|------|------|---------------------------------|---------------------------|
| | GPM | LPM | PSI | BAR | HP | KW | | | |
| BRASS MANIFOLDS WITH BUNA SEALS 4.2 TO 6 GPM (15.9 TO 23 LPM) | | | | | | | | | |
| Note: Pumps in <i>italics</i> indicate an optional performance rating. | | | | | | | | | |
| 270 | 4.2 | 15.9 | 1000 | 70 | 2.9 | 2.2 | 1725 | Solid shaft, Belt, Bell, Clutch | FPM, EPDM, IPFE, STHT, HT |
| 3CP1120 | 4.2 | 15.9 | 2200 | 155 | 6.3 | 4.7 | 1725 | Solid shaft, Belt, Bell, Clutch | FPM, EPDM, STHT, HT, ST4 |
| 4SF45ELS | 4.5 | 17 | 3000 | 210 | 9.2 | 6.9 | 1725 | Hollow shaft-electric | Contact Cat Pumps |
| 4SF45GS1 | 4.5 | 17 | 3000 | 210 | 9.2 | 6.9 | 3200 | Hollow shaft-gas | Contact Cat Pumps |
| 45 | 4.5 | 17 | 3500 | 245 | 10.8 | 8 | 1645 | Belt, Clutch | FPM, HT |
| 45G1 | 4.5 | 17 | 3500 | 245 | 10.8 | 8 | 3353 | Gearbox | FPM, HT |
| 5CP3120 | 4.5 | 17 | 3500 | 245 | 10.8 | 8 | 1645 | Belt, Bell, Clutch | FPM, EPDM, STHT, HT |
| 5CP3120CSSG1 | 4.5 | 17 | 3500 | 245 | 10.8 | 8 | 3353 | Gearbox | FPM, EPDM, STHT, HT |
| 60G1 | 4.5 | 17 | 4000 | 275 | 12.3 | 9.2 | 3200 | Gearbox | FPM, HT |
| 57 | 4.5 | 17 | 4000 | 275 | 12.3 | 9.2 | 1285 | Belt, Clutch | FPM, HT |
| 70 | 4.5 | 17 | 5000 | 345 | 15.4 | 11.5 | 1700 | Belt, Clutch | FPM |
| 70G1 | 4.5 | 17 | 5000 | 345 | 15.4 | 11.5 | 3465 | Gearbox | FPM |
| 5CP3120CSS | 4.8 | 18.2 | 3000 | 210 | 9.9 | 7.4 | 1750 | Solid shaft, Belt, Bell, Clutch | FPM, EPDM, STHT, HT |
| 350 | 5 | 19 | 1500 | 105 | 5.1 | 3.8 | 1725 | Solid shaft, Belt, Bell, Clutch | FPM, EPDM, IPFE, HT |
| 350B | 5 | 19 | 1500 | 105 | 5.1 | 3.8 | 1725 | Solid shaft, Belt, Bell, Clutch | FPM, EPDM, IPFE, HT |
| 350S | 5 | 19 | 1500 | 105 | 5.1 | 3.8 | 1725 | Solid shaft, Belt, Bell, Clutch | FPM, EPDM, IPFE, HT |
| 5CP2150B | 5 | 19 | 2000 | 140 | 6.9 | 5.1 | 1725 | Solid shaft, Belt, Bell, Clutch | FPM, EPDM, STHT, HT, ST4 |
| 5CP2150W | 5 | 19 | 2000 | 140 | 6.9 | 5.1 | 1725 | Solid shaft, Belt, Bell, Clutch | FPM, EPDM, STHT, HT, ST4 |
| 530 | 5 | 19 | 2500 | 175 | 8.6 | 6.4 | 1100 | Belt, Clutch | FPM |
| 550 | 5 | 19 | 3000 | 210 | 10.3 | 7.7 | 1415 | Belt, Clutch | FPM, HT |
| 4SF50ELS | 5 | 19 | 3000 | 210 | 10.3 | 7.7 | 1725 | Hollow shaft-electric | Contact Cat Pumps |
| 4SF50GS1 | 5 | 19 | 3000 | 210 | 10.3 | 7.7 | 3200 | Hollow shaft-gas | Contact Cat Pumps |
| 5CP5120 | 5 | 19 | 3000 | 210 | 10.3 | 7.7 | 1415 | Belt, Clutch | FPM, EPDM, STHT, HT |
| 5CP5150G1 | 5 | 19 | 3000 | 210 | 10.3 | 7.7 | 3200 | Gearbox | FPM, EPDM, STHT, HT |
| 56 | 5.5 | 21 | 3500 | 245 | 13.2 | 9.8 | 1210 | Belt, Clutch | FPM, HT |
| 59G1 | 5.5 | 21 | 3500 | 245 | 13.2 | 9.8 | 3200 | Gearbox | FPM, HT |
| 5CP5140 | 5.5 | 21 | 3500 | 245 | 13.2 | 9.8 | 1500 | Belt, Clutch | FPM, EPDM, STHT, HT |
| 5CP5140CSSG1 | 5.5 | 21 | 3500 | 245 | 13.2 | 9.8 | 1570 | Gearbox | FPM, EPDM, STHT, HT |
| 5CP6120 | 6 | 23 | 1600 | 110 | 6.6 | 4.9 | 1400 | Belt, Clutch | FPM, EPDM, STHT, HT, ST4 |

¹ Selection of an optional seal requires a suffix addition to the base model number. For more information see page 5.



1050
(Rails and shaft protector sold separately)



3535
(Rails sold separately)



6760

| PUMP MODEL | MAXIMUM FLOW | | MAXIMUM PRESSURE | | HORSEPOWER | | RPM | DRIVES | OPTIONAL ¹ SEALS |
|------------|--------------|-----|------------------|-----|------------|----|-----|--------|-----------------------------|
| | GPM | LPM | PSI | BAR | HP | KW | | | |

BRASS MANIFOLDS WITH BUNA SEALS 6.7 TO 75 GPM (25 TO 284 LPM)

Note: Models ending in the letter "C" or "K" are flush style pumps. Pumps in *italics* indicate an optional performance rating. * Intermittent Duty Only.

| | | | | | | | | | |
|----------------|------------|-----------|-------------|------------|-------------|-------------|-------------|---------------------------------|-----------------------------------|
| 5CP6120CSSG1 | 6.7 | 25 | 1600 | 110 | 7.3 | 5.4 | 3200 | Gearbox | FPM, EPDM, STHT, HT, ST4 |
| 650 | 7 | 26 | 3000 | 210 | 14.4 | 10.7 | 1000 | Belt, Clutch | FPM, EPDM |
| <i>5CP6120</i> | <i>7.4</i> | <i>28</i> | <i>1200</i> | <i>85</i> | <i>6.1</i> | <i>4.5</i> | <i>1750</i> | <i>Belt, Clutch</i> | <i>FPM, EPDM, STHT, HT, ST4</i> |
| 56G1 | 8 | 30 | 1800 | 125 | 9.9 | 7.4 | 3600 | Gearbox | FPM, HT |
| 1560 | 8 | 30 | 4000 | 275 | 21.9 | 16.3 | 1140 | Belt, Clutch | FPM |
| 5CP6190 | 9.7 | 37 | 1200 | 85 | 7.9 | 5.9 | 1750 | Solid shaft, Belt, Bell, Clutch | FPM, EPDM |
| 5CP6190G1 | 9.7 | 37 | 1200 | 85 | 7.9 | 5.9 | 1570 | Gearbox | FPM, EPDM |
| 1050 | 10 | 38 | 2200 | 155 | 15.1 | 11.3 | 958 | Belt, Clutch | FPM, EPDM, STHT, IPFE, ST4, PTFE |
| 7CP6110G1 | 10 | 38 | 2000 | 140 | 13.7 | 10.2 | 1667 | Gearbox | FPM, EPDM, STHT |
| 660 | 10 | 38 | 3000 | 210 | 20.6 | 15.4 | 1429 | Belt, Clutch | FPM, EPDM, STHT, IPFE |
| 7CP6110 | 10.5 | 40 | 2000 | 140 | 14.4 | 10.7 | 1750 | Solid shaft, Belt, Bell, Clutch | FPM, EPDM, STHT |
| 7CP6170 | 11 | 41.6 | 2000 | 140 | 15.1 | 11.3 | 1450 | Belt, Clutch | FPM, EPDM, STHT |
| <i>1050</i> | <i>12</i> | <i>45</i> | <i>1800</i> | <i>125</i> | <i>14.8</i> | <i>11</i> | <i>1150</i> | <i>Belt, Clutch</i> | <i>FPM, EPDM, STHT, IPFE, ST4</i> |
| 1530 | 15.6 | 59 | 1500 | 105 | 16 | 11.9 | 1450 | Belt, Clutch | FPM, EPDM, IPFE |
| 1540E | 18 | 68 | 1200 | 85 | 14.8 | 11 | 1100 | Belt, Clutch | ST4 |
| 2510 | 20 | 76 | 2000 | 140 | 27.5 | 20.5 | 1450 | Belt | FPM, IPFE |
| 3560 | 20 | 76 | 4000 | 275 | 54.8 | 40.9 | 1160 | Belt | FPM |
| <i>2530</i> | <i>21</i> | <i>79</i> | <i>1200</i> | <i>85</i> | <i>17.3</i> | <i>12.9</i> | <i>860</i> | <i>Belt</i> | <i>FPM, EPDM, IPFE, ST4</i> |
| <i>2530E</i> | <i>21</i> | <i>79</i> | <i>1200</i> | <i>85</i> | <i>17.3</i> | <i>12.9</i> | <i>860</i> | <i>Belt</i> | <i>FPM, EPDM, IPFE, ST4</i> |
| 3520 | 23 | 87 | 2000 | 140 | 31.6 | 23.6 | 800 | Belt | FPM, EPDM, IPFE |
| 3520C | 23 | 87 | 2000 | 140 | 31.6 | 23.6 | 800 | Belt | FPM, EPDM, IPFE |
| 2530 | 25 | 95 | 1000 | 70 | 17.1 | 12.8 | 1025 | Belt | FPM, EPDM, IPFE, ST4 |
| 2530E | 25 | 95 | 1000 | 70 | 17.1 | 12.8 | 1025 | Belt | FPM, EPDM, IPFE, ST4 |
| <i>3560</i> | <i>25</i> | <i>95</i> | <i>3000</i> | <i>210</i> | <i>51.4</i> | <i>38.3</i> | <i>1450</i> | <i>Belt</i> | <i>FPM</i> |
| 3535 | 36 | 136 | 1200 | 85 | 29.7 | 22.1 | 800 | Belt | FPM, EPDM |
| 3535C | 36 | 136 | 1200 | 85 | 29.7 | 22.1 | 800 | Belt | FPM, EPDM |
| 3545 | 45 | 170 | 1000 | 70 | 30.9 | 23.0 | 765 | Belt | FPM, EPDM |
| 3545HS* | 45 | 170 | 1200 | 85 | 37.0 | 27.6 | 765 | Belt | FPM, EPDM |
| 6760 | 60 | 227 | 1200 | 85 | 49.4 | 36.8 | 520 | Belt | FPM, EPDM |
| 6775 | 75 | 284 | 1200 | 85 | 61.6 | 45.9 | 650 | Belt | FPM, EPDM |

¹ Selection of an optional seal requires a suffix addition to the base model number. For more information see page 5.

Plunger Pumps

NICKEL ALUMINUM BRONZE MANIFOLDS



277

(Rails and shaft protector sold separately)



2537

(Rails and shaft protector sold separately)



6767

| PUMP MODEL | MAXIMUM FLOW | | MAXIMUM PRESSURE | | HORSEPOWER | | RPM | DRIVES | OPTIONAL ¹ SEALS |
|------------|--------------|-----|------------------|-----|------------|----|-----|--------|-----------------------------|
| | GPM | LPM | PSI | BAR | HP | KW | | | |

NICKEL ALUMINUM BRONZE MANIFOLDS WITH BUNA SEALS 2.3 TO 75 GPM (8.7 TO 284 LPM)

Note: Pumps in *italics* indicate an optional performance rating. * Intermittent Duty Only.

| | | | | | | | | | |
|-------------|-----------|-----------|-------------|------------|-------------|-----------|-------------|---------------------------------|-----------------------------------|
| 237 | 2.3 | 8.7 | 1500 | 105 | 2.4 | 1.8 | 1725 | Solid shaft, Belt, Bell, Clutch | FPM, EPDM, STHT, HT, IPFE |
| 277 | 3.5 | 13.2 | 1500 | 105 | 3.6 | 2.7 | 1420 | Belt, Bell, Clutch | FPM, EPDM, STHT, HT, IPFE |
| 247 | 3.6 | 13.6 | 1200 | 85 | 3 | 2.2 | 1725 | Solid shaft, Belt, Bell, Clutch | FPM, EPDM, STHT, HT, IPFE |
| 347 | 4 | 15 | 1800 | 125 | 5 | 3.7 | 1725 | Solid shaft, Belt, Bell, Clutch | FPM, EPDM, HT, IPFE |
| 317 | 4 | 15 | 2200 | 155 | 6 | 4.5 | 950 | Belt, Clutch | FPM, EPDM, HT, IPFE |
| 357 | 5 | 19 | 1500 | 105 | 5.1 | 3.8 | 1725 | Solid shaft, Belt, Bell, Clutch | FPM, EPDM, HT, IPFE |
| 3507 | 9 | 34 | 5000 | 345 | 30.8 | 23 | 824 | Belt | FPM |
| 1057 | 10 | 38 | 2200 | 155 | 15.1 | 11.3 | 958 | Belt, Clutch | FPM, EPDM, STHT, IPFE, ST4 |
| <i>1057</i> | <i>12</i> | <i>45</i> | <i>1800</i> | <i>125</i> | <i>14.8</i> | <i>11</i> | <i>1150</i> | <i>Belt, Clutch</i> | <i>FPM, EPDM, STHT, IPFE, ST4</i> |
| 3517 | 14 | 53 | 3000 | 210 | 28.8 | 21.5 | 800 | Belt | FPM, EPDM |
| 3527HS* | 20 | 76 | 2300 | 159 | 31.5 | 23.5 | 700 | Belt | FPM, EPDM, IPFE |
| 2537 | 21 | 79 | 1200 | 85 | 17.3 | 12.9 | 860 | Belt | FPM, EPDM, IPFE, ST4 |
| 3527 | 23 | 87 | 2000 | 140 | 31.6 | 23.6 | 800 | Belt | FPM, EPDM, IPFE |
| 3537 | 36 | 136 | 1200 | 85 | 29.7 | 22.1 | 800 | Belt | FPM, EPDM |
| 3537HS* | 40 | 151 | 2000 | 140 | 54.8 | 40.9 | 888 | Belt | FPM, EPDM |
| 6747 | 48 | 182 | 2000 | 140 | 65.8 | 49.1 | 615 | Belt | FPM, EPDM |
| 6767 | 60 | 227 | 1200 | 85 | 49.4 | 36.8 | 520 | Belt | FPM, EPDM |
| 6777 | 75 | 284 | 1200 | 85 | 61.6 | 45.9 | 650 | Belt | FPM, EPDM |

¹ Selection of an optional seal requires a suffix addition to the base model number. For more information see page 5.

Plunger Pumps

316 STAINLESS STEEL MANIFOLDS



2SF25SEEL



271
(Rails and shaft protector sold separately)



781
(Rails sold separately)

| PUMP MODEL | MAXIMUM FLOW | | MAXIMUM PRESSURE | | HORSEPOWER | | RPM | DRIVES | OPTIONAL ¹ SEALS |
|------------|--------------|-----|------------------|-----|------------|----|-----|--------|-----------------------------|
| | GPM | LPM | PSI | BAR | HP | KW | | | |

316 STAINLESS STEEL MANIFOLDS WITH BUNA SEALS 0.5 TO 6 GPM (1.9 TO 23 LPM)

Note: Models ending in the letter "C" or "K" are flush style pumps.

| | | | | | | | | | |
|-----------|------|------|------|-----|------|------|------|---------------------------------|---------------------------|
| 2SF05SEEL | 0.5 | 1.9 | 1200 | 85 | 0.4 | 0.3 | 1725 | Hollow shaft-electric | FPM, EPDM, IPFE |
| 2SF10SEEL | 1 | 3.8 | 1200 | 85 | 0.8 | 0.6 | 1725 | Hollow shaft-electric | FPM, EPDM, IPFE |
| 2SF15SEEL | 1.5 | 5.7 | 1200 | 85 | 1.2 | 0.9 | 1725 | Hollow shaft-electric | FPM, EPDM, IPFE |
| 2SF22SEEL | 2.2 | 8.3 | 1200 | 85 | 1.8 | 1.3 | 1725 | Hollow shaft-electric | FPM, EPDM, IPFE |
| 231 | 2.3 | 8.7 | 1500 | 105 | 2.4 | 1.8 | 1725 | Solid shaft, Belt, Bell, Clutch | FPM, EPDM, IPFE, STHT, HT |
| 3CP1231 | 2.3 | 8.7 | 2000 | 140 | 3.2 | 2.4 | 1725 | Solid shaft, Belt, Bell, Clutch | FPM, EPDM, IPFE, HT, ST4 |
| 2SF25SEEL | 2.5 | 9.5 | 1200 | 85 | 2.1 | 1.5 | 1725 | Hollow shaft-electric | FPM, EPDM, IPFE |
| 2SF29SEEL | 2.85 | 10.8 | 1200 | 85 | 2.3 | 1.7 | 1725 | Hollow shaft-electric | FPM, EPDM, IPFE |
| 2SF35SEEL | 3.5 | 13.2 | 1200 | 85 | 2.9 | 2.1 | 1725 | Hollow shaft-electric | FPM, EPDM, IPFE |
| 271 | 3.5 | 13.2 | 1500 | 105 | 3.6 | 2.7 | 1420 | Belt, Bell, Clutch | FPM, EPDM, IPFE, STHT, HT |
| 241 | 3.6 | 13.6 | 1200 | 85 | 3 | 2.2 | 1725 | Solid shaft, Belt, Bell, Clutch | FPM, EPDM, IPFE, STHT, HT |
| 3CP1241 | 3.6 | 13.6 | 2000 | 140 | 4.9 | 3.7 | 1725 | Solid shaft, Belt, Bell, Clutch | FPM, EPDM, IPFE, HT, ST4 |
| 341 | 4 | 15 | 1800 | 125 | 5 | 3.7 | 1725 | Solid shaft, Belt, Bell, Clutch | FPM, EPDM, IPFE, HT |
| 5CP6241CS | 4 | 15 | 2000 | 140 | 5.5 | 4.1 | 1725 | Solid shaft, Belt, Bell, Clutch | FPM, EPDM, HT, ST4 |
| 311 | 4 | 15 | 2200 | 155 | 6 | 4.5 | 950 | Belt, Clutch | FPM, EPDM, IPFE, HT |
| 311C | 4 | 15 | 2200 | 155 | 6 | 4.5 | 950 | Belt, Clutch | FPM, EPDM, IPFE, HT |
| 2SF42SEEL | 4.2 | 15.9 | 1000 | 70 | 2.9 | 2.1 | 1725 | Hollow shaft-electric | FPM, EPDM, IPFE |
| 3CP1221 | 4.2 | 15.9 | 2000 | 140 | 5.8 | 4.3 | 1725 | Solid shaft, Belt, Bell, Clutch | FPM, EPDM, IPFE, HT, ST4 |
| 781 | 4.5 | 17 | 5000 | 345 | 15.4 | 11.5 | 1700 | Belt, Clutch | FPM, EPDM, IPFE, PTFE |
| 781K | 4.5 | 17 | 5000 | 345 | 15.4 | 11.5 | 1700 | Belt, Clutch | FPM, EPDM, IPFE, PTFE |
| 351 | 5 | 19 | 1500 | 105 | 5.1 | 3.8 | 1725 | Solid shaft, Belt, Bell, Clutch | FPM, EPDM, IPFE, HT |
| 5CP6251 | 5 | 19 | 2000 | 140 | 6.8 | 5.1 | 1725 | Solid shaft, Belt, Bell, Clutch | FPM, EPDM, HT, ST4 |
| 5CP6221 | 6 | 23 | 2000 | 140 | 8.2 | 6.1 | 1400 | Belt, Clutch | FPM, EPDM, HT, ST4 |

¹ Selection of an optional seal requires a suffix addition to the base model number. For more information see page 5.

Plunger Pumps

316 STAINLESS STEEL MANIFOLDS



1051
(Rails and shaft protector sold separately)



1541
(Rails and shaft protector sold separately)



7CP6111
(Rails sold separately)

| PUMP MODEL | MAXIMUM FLOW | | MAXIMUM PRESSURE | | HORSEPOWER | | RPM | DRIVES | OPTIONAL ¹ SEALS |
|--|--------------|-----------|------------------|------------|-------------|-----------|-------------|---------------------|--|
| | GPM | LPM | PSI | BAR | HP | KW | | | |
| 316 STAINLESS STEEL MANIFOLDS WITH BUNA SEALS 9 TO 21 GPM (34 TO 79 LPM) | | | | | | | | | |
| Note: Models ending in the letter "C" or "K" are flush style pumps. Pumps in <i>italics</i> indicate an optional performance rating. | | | | | | | | | |
| 3801 | 9 | 34 | 5000 | 345 | 30.8 | 23 | 824 | Belt | FPM, EPDM |
| 3801K | 9 | 34 | 5000 | 345 | 30.8 | 23 | 824 | Belt | FPM, EPDM |
| 7CP6111G1 | 10 | 38 | 2000 | 140 | 13.7 | 10.2 | 1667 | Gearbox | FPM, EPDM, STHT |
| 1051 | 10 | 38 | 2200 | 155 | 15.1 | 11.3 | 958 | Belt, Clutch | FPM, EPDM, STHT, NBRs, IPFE, ST4, PTFE |
| 1051C | 10 | 38 | 2200 | 155 | 15.1 | 11.3 | 958 | Belt, Clutch | FPM, EPDM, STHT, NBRs, IPFE, ST4, PTFE |
| 1861 | 10 | 38 | 3000 | 210 | 20.6 | 15.4 | 1429 | Belt, Clutch | FPM, EPDM, IPFE |
| 1861K | 10 | 38 | 3000 | 210 | 20.6 | 15.4 | 1429 | Belt, Clutch | FPM, EPDM, IPFE |
| 7CP6111 | 10.5 | 40 | 2000 | 140 | 14.4 | 10.7 | 1725 | Belt, Bell, Clutch | FPM, EPDM, STHT |
| 7CP6171 | 10.5 | 40 | 2000 | 140 | 14.4 | 10.7 | 1450 | Belt, Clutch | FPM, EPDM, STHT |
| <i>1051</i> | <i>12</i> | <i>45</i> | <i>1800</i> | <i>125</i> | <i>14.8</i> | <i>11</i> | <i>1150</i> | <i>Belt, Clutch</i> | <i>FPM, EPDM, STHT, IPFE, ST4 PTFE</i> |
| 3811 | 14 | 53 | 3000 | 210 | 28.8 | 21.5 | 800 | Belt | FPM, EPDM, IPFE |
| 3811K | 14 | 53 | 3000 | 210 | 28.8 | 21.5 | 800 | Belt | FPM, EPDM, IPFE |
| 6811 | 15 | 57 | 5000 | 345 | 51.5 | 38.4 | 600 | Belt | FPM, EPDM, IPFE |
| 6811K | 15 | 57 | 5000 | 345 | 51.5 | 38.4 | 600 | Belt | FPM, EPDM, IPFE |
| 6801 | 15 | 57 | 7000 | 485 | 51.5 | 38.4 | 600 | Belt | FPM, EPDM |
| 6801K | 15 | 57 | 7000 | 485 | 51.5 | 38.4 | 600 | Belt | FPM, EPDM |
| 1531 | 15.6 | 59 | 1500 | 105 | 16 | 11.9 | 1450 | Belt, Clutch | FPM, EPDM, IPFE |
| 1541 | 18 | 68 | 1200 | 85 | 14.7 | 11 | 1100 | Belt, Clutch | ST4 |
| 2511 | 20 | 76 | 1500 | 105 | 20.6 | 15.4 | 1450 | Belt | FPM, STHT, IPFE |
| 2531 | 21 | 79 | 1200 | 85 | 17.3 | 12.9 | 860 | Belt | FPM, EPDM, IPFE, ST4 |
| 2831 | 21 | 79 | 1200 | 85 | 17.3 | 12.9 | 860 | Belt | FPM, EPDM |
| 2831K | 21 | 79 | 1200 | 85 | 17.3 | 12.9 | 860 | Belt | FPM, EPDM |

¹ Selection of an optional seal requires a suffix addition to the base model number. For more information see page 5.



2531
(Rails and shaft protector sold separately)



3531
(Rails sold separately)



6841

| PUMP MODEL | MAXIMUM FLOW | | MAXIMUM PRESSURE | | HORSEPOWER | | | RPM | DRIVES | OPTIONAL ¹ SEALS |
|---|--------------|-----|------------------|-----|------------|------|------|------|----------------------|-----------------------------|
| | GPM | LPM | PSI | BAR | HP | KW | | | | |
| 316 STAINLESS STEEL MANIFOLDS WITH BUNA SEALS 23 TO 75 GPM (87 TO 284 LPM) | | | | | | | | | | |
| Note: Models ending in the letter "C" or "K" are flush style pumps. * Intermittent Duty Only. | | | | | | | | | | |
| 3521 | 23 | 87 | 2000 | 140 | 31.6 | 23.6 | 800 | Belt | FPM, EPDM, IPFE | |
| 3521C | 23 | 87 | 2000 | 140 | 31.6 | 23.6 | 800 | Belt | FPM, EPDM, IPFE | |
| 3821 | 23 | 87 | 2000 | 140 | 31.6 | 23.6 | 800 | Belt | FPM, EPDM | |
| 3821K | 23 | 87 | 2000 | 140 | 31.6 | 23.6 | 800 | Belt | FPM, EPDM | |
| 2531 | 25 | 95 | 1000 | 70 | 17.1 | 12.8 | 1025 | Belt | FPM, EPDM, IPFE, ST4 | |
| 6821 | 25 | 95 | 3000 | 210 | 51.4 | 38.3 | 615 | Belt | FPM, EPDM | |
| 6821K | 25 | 95 | 3000 | 210 | 51.4 | 38.3 | 615 | Belt | FPM, EPDM | |
| 3531 | 36 | 136 | 1200 | 85 | 29.7 | 22.1 | 800 | Belt | FPM, EPDM, IPFE | |
| 3531C | 36 | 136 | 1200 | 85 | 29.7 | 22.1 | 800 | Belt | FPM, EPDM, IPFE | |
| 3831 | 36 | 136 | 1200 | 85 | 29.7 | 22.1 | 800 | Belt | FPM, EPDM, IPFE | |
| 3831K | 36 | 136 | 1200 | 85 | 29.7 | 22.1 | 800 | Belt | FPM, EPDM, IPFE | |
| 3531HS* | 40 | 151 | 1750 | 121 | 47.9 | 35.8 | 888 | Belt | FPM, EPDM, IPFE | |
| 6831 | 40 | 151 | 2300 | 160 | 63 | 47 | 625 | Belt | FPM | |
| 6831K | 40 | 151 | 2300 | 160 | 63 | 47 | 625 | Belt | FPM | |
| 3541 | 45 | 170 | 1000 | 70 | 30.9 | 23.0 | 765 | Belt | FPM, EPDM, IPFE | |
| 3541C | 45 | 170 | 1000 | 70 | 30.9 | 23.0 | 765 | Belt | FPM, EPDM, IPFE | |
| 3841 | 45 | 170 | 1000 | 70 | 30.9 | 23.0 | 765 | Belt | FPM, EPDM, IPFE | |
| 3841K | 45 | 170 | 1000 | 70 | 30.9 | 23.0 | 765 | Belt | FPM, EPDM, IPFE | |
| 6841 | 48 | 182 | 2000 | 140 | 65.8 | 49.1 | 615 | Belt | FPM, EPDM | |
| 6841K | 48 | 182 | 2000 | 140 | 65.8 | 49.1 | 615 | Belt | FPM, EPDM | |
| 6761 | 60 | 227 | 1200 | 85 | 49.4 | 36.8 | 520 | Belt | FPM, EPDM | |
| 6861 | 60 | 227 | 1200 | 85 | 49.3 | 36.8 | 520 | Belt | FPM | |
| 6861K | 60 | 227 | 1200 | 85 | 49.3 | 36.8 | 520 | Belt | FPM | |
| 6771 | 75 | 284 | 1200 | 85 | 61.6 | 45.9 | 650 | Belt | FPM, EPDM | |

304 STAINLESS STEEL MANIFOLDS WITH BUNA SEALS 3 GPM (11 LPM)

| | | | | | | | | | |
|-------|---|----|--------|-----|------|------|------|------|-------------------|
| 1810 | 3 | 11 | 10,000 | 690 | 20.5 | 15.3 | 1500 | Belt | Contact Cat Pumps |
| 1810K | 3 | 11 | 10,000 | 690 | 20.5 | 15.3 | 1500 | Belt | Contact Cat Pumps |

¹ Selection of an optional seal requires a suffix addition to the base model number. For more information see page 5.

Plunger Pumps

DUPLEX STAINLESS STEEL MANIFOLDS



3511
(Rails sold separately)



6762



152R100

| PUMP MODEL | MAXIMUM FLOW | | MAXIMUM PRESSURE | | HORSEPOWER | | RPM | DRIVES | OPTIONAL ¹ SEALS |
|------------|--------------|-----|------------------|-----|------------|----|-----|--------|-----------------------------|
| | GPM | LPM | PSI | BAR | HP | KW | | | |

DUPLEX STAINLESS STEEL MANIFOLDS WITH BUNA SEALS 9 TO 240 GPM (34 TO 908 LPM)

Note: Models ending in the letter "C" or "K" are flush style pumps.

| | | | | | | | | | |
|----------|-----|-----|------|-----|-------|-------|------|--------------|--|
| 3501 | 9 | 34 | 5000 | 345 | 30.8 | 23.0 | 824 | Belt | FPM |
| 3501C | 9 | 34 | 5000 | 345 | 30.8 | 23.0 | 824 | Belt | FPM |
| 1051D | 10 | 38 | 2200 | 155 | 15.1 | 11.3 | 958 | Belt, Clutch | FPM, EPDM, STHT, NBRS, IPFE, ST4, PTFE |
| 661C | 10 | 38 | 3000 | 210 | 20.6 | 15.4 | 1429 | Belt, Clutch | FPM, EPDM, IPFE |
| 661D | 10 | 38 | 3000 | 210 | 20.6 | 15.4 | 1429 | Belt, Clutch | FPM, EPDM, IPFE |
| 3511 | 14 | 53 | 3000 | 210 | 28.8 | 21.5 | 800 | Belt | FPM, IPFE |
| 3511C | 14 | 53 | 3000 | 210 | 28.8 | 21.5 | 800 | Belt | FPM, IPFE |
| 3822 | 23 | 87 | 2000 | 140 | 31.6 | 23.6 | 800 | Belt | Contact Cat Pumps |
| 3832 | 36 | 136 | 1200 | 85 | 29.7 | 22.1 | 800 | Belt | Contact Cat Pumps |
| 6762 | 60 | 227 | 1200 | 85 | 49.4 | 36.8 | 520 | Belt | FPM |
| 6862 | 60 | 227 | 1200 | 85 | 49.3 | 36.8 | 520 | Belt | Contact Cat Pumps |
| 6864 | 60 | 227 | 1200 | 85 | 49.3 | 36.8 | 520 | Belt | Contact Cat Pumps |
| 157R060 | 100 | 379 | 2700 | 190 | 184.9 | 138 | 310 | Belt | FPM |
| 152R060 | 115 | 435 | 1200 | 85 | 94.5 | 70 | 360 | Belt | FPM |
| 152R060C | 115 | 435 | 1200 | 85 | 94.5 | 70.5 | 360 | Belt | FPM |
| 152R080 | 200 | 757 | 1200 | 85 | 164.4 | 122.6 | 355 | Belt | FPM, EPDM |
| 152R080C | 200 | 757 | 1200 | 85 | 164.4 | 122.6 | 355 | Belt | FPM, EPDM |
| 157R080 | 200 | 757 | 1560 | 108 | 213.7 | 159.4 | 355 | Belt | FPM |
| 152R100 | 240 | 908 | 1000 | 70 | 164.4 | 122.6 | 270 | Belt | FPM |
| 152R100C | 240 | 908 | 1000 | 70 | 164.4 | 122.6 | 270 | Belt | FPM |

¹ Selection of an optional seal requires a suffix addition to the base model number. For more information see page 5.

Piston Pumps

BRASS AND STAINLESS STEEL MANIFOLDS



280
(Rails and shaft protector sold separately)



820
(Rails and shaft protector sold separately)



2520
(Rails and shaft protector sold separately)

| PUMP MODEL | MAXIMUM FLOW | | MAXIMUM PRESSURE | | HORSEPOWER | | RPM | OPTIONAL ¹ SEALS |
|------------|--------------|-----|------------------|-----|------------|----|-----|-----------------------------|
| | GPM | LPM | PSI | BAR | HP | KW | | |

BRASS MANIFOLDS WITH BUNA SEALS 3 TO 60 GPM (11.4 TO 227 LPM)

Note: Models ending in the letter "C" or "K" are flush style pumps.

| | | | | | | | | |
|-------|-----|------|------|-----|------|------|------|--------------------|
| 280 | 3 | 11.4 | 1000 | 70 | 2.1 | 1.6 | 1330 | FPM, PTFE, HT |
| 290 | 3.5 | 13.2 | 1200 | 85 | 2.9 | 2.2 | 1200 | FPM, PTFE, HT |
| 333 | 4 | 15 | 1200 | 85 | 3.3 | 2.5 | 1070 | FPM, PTFE, BNG, HT |
| 430 | 5 | 19 | 1000 | 70 | 3.4 | 2.5 | 1040 | FPM, PTFE, BNG, HT |
| 323 | 5 | 19 | 1500 | 105 | 5.1 | 3.8 | 1000 | FPM, BNG |
| 623 | 6 | 23 | 1200 | 85 | 4.9 | 3.7 | 850 | FPM, BNG, HT |
| 820 | 10 | 38 | 1000 | 70 | 6.9 | 5.1 | 940 | FPM, BNG, HT |
| 390 | 12 | 45 | 600 | 40 | 4.9 | 3.7 | 1200 | FPM, HT |
| 1010 | 13 | 49 | 700 | 50 | 6.2 | 4.6 | 900 | FPM, BNG, HT |
| 2520 | 25 | 95 | 800 | 55 | 13.7 | 10.2 | 772 | FPM, HT |
| 2520C | 25 | 95 | 800 | 55 | 13.7 | 10.2 | 772 | FPM, HT |
| 6040 | 40 | 151 | 1500 | 105 | 41.1 | 30.6 | 500 | FPM |
| 6020 | 60 | 227 | 1000 | 70 | 41.1 | 30.6 | 500 | FPM, PTFE |

316 STAINLESS STEEL MANIFOLD WITH BUNA SEALS 3 TO 60 GPM (11.4 TO 227 LPM)

Note: Internal components are chrome plated 304 stainless steel.

| | | | | | | | | |
|------|-----|------|------|-----|------|------|------|--------------------|
| 281 | 3 | 11.4 | 1000 | 70 | 2.1 | 1.6 | 1330 | FPM, PTFE, HT |
| 291 | 3.5 | 13.2 | 1200 | 85 | 2.9 | 2.2 | 1200 | FPM, PTFE, HT |
| 331 | 4 | 15 | 1200 | 85 | 3.3 | 2.5 | 1070 | FPM, PTFE, BNG, HT |
| 431 | 5 | 19 | 1000 | 70 | 3.4 | 2.5 | 1040 | FPM, PTFE, BNG, HT |
| 621 | 6 | 23 | 1200 | 85 | 4.9 | 3.7 | 850 | FPM, BNG, HT |
| 821 | 10 | 38 | 1000 | 70 | 6.9 | 5.1 | 940 | FPM, BNG, HT |
| 1011 | 13 | 49 | 700 | 50 | 6.2 | 4.6 | 900 | FPM, BNG, HT |
| 2521 | 25 | 95 | 800 | 55 | 13.7 | 10.2 | 772 | FPM, HT |
| 6041 | 40 | 151 | 1500 | 105 | 41.1 | 30.6 | 500 | FPM |
| 6021 | 60 | 227 | 1000 | 70 | 41.1 | 30.6 | 500 | FPM, PTFE |

¹ Selection of an optional seal requires a suffix addition to the base model number. For more information see page 5.

Centrifugal Pumps

304 STAINLESS STEEL CASING

These centrifugal pumps offer solutions for high-flow, low-pressure industrial pumping needs. Typical fluids pumped include fresh water, semi-dirty water or liquids with some suspended solids. Below is a sampling of popular centrifugal models that include the pump, seal and motor. Most of the pumps listed are rated at 3450 rpm, but many models are available at 1725 rpm.



| PUMP MODEL | MAXIMUM FLOW | | MAXIMUM PRESSURE | | HORSEPOWER | | PHASE/VOLTAGE |
|------------|--------------|-----|------------------|-----|------------|----|---------------|
| | GPM | LPM | PSI | BAR | HP | KW | |

Submersible Pumps with Integral Motor and Seal*

45 TO 100 GPM (170 TO 379 LPM)

| | | | | | | | |
|-------|-----|-----|----|------|-----|-----|---------------|
| 1K100 | 45 | 170 | 10 | 0.69 | 0.3 | 0.2 | 1PH / 115V** |
| 1K201 | 73 | 276 | 17 | 1.17 | 0.5 | 0.4 | 1PH / 115V** |
| 1K203 | 73 | 276 | 17 | 1.17 | 0.5 | 0.4 | 1PH / 115V*** |
| 1K205 | 73 | 276 | 17 | 1.17 | 0.5 | 0.4 | 3PH / 460V*** |
| 1K301 | 74 | 280 | 21 | 1.45 | 0.8 | 0.6 | 1PH / 115V** |
| 1K303 | 74 | 280 | 21 | 1.45 | 0.8 | 0.6 | 1PH / 115V*** |
| 1K305 | 74 | 280 | 21 | 1.45 | 0.8 | 0.6 | 3PH / 460V*** |
| 2K102 | 88 | 333 | 9 | 0.62 | 0.5 | 0.4 | 1PH / 230V*** |
| 2K103 | 88 | 333 | 9 | 0.62 | 0.5 | 0.4 | 1PH / 230V** |
| 2K200 | 100 | 379 | 11 | 0.76 | 1.0 | 0.7 | 1PH / 115V** |
| 2K202 | 100 | 379 | 11 | 0.76 | 1.0 | 0.7 | 1PH / 230V** |

*Motor side seal is NBR fitted Carbon/Ceramic and impeller side seal is Viton® fitted Silicon Carbide/Silicone Carbide.

**Supplied with automatic float switch

***Manual models, no float switch

End-Suction Motorized Units with TEFC 56J NEMA Motor

38 TO 63 GPM (144 TO 238 LPM)

| | | | | | | | |
|----------|----|-----|----|-----|-----|-----|--------------------|
| 3K132WT0 | 38 | 144 | 62 | 4.3 | 2.0 | 1.5 | 1PH / 115/208-230V |
| 3K132WT3 | 38 | 144 | 62 | 4.3 | 2.0 | 1.5 | 3PH / 208-230/460V |
| 3K392BT3 | 52 | 197 | 13 | 0.9 | 0.5 | 0.4 | 3PH / 208-230/460V |
| 3K142WT0 | 63 | 238 | 32 | 2.2 | 1.0 | 0.7 | 1PH / 115/208-230V |
| 3K142WT3 | 63 | 238 | 32 | 2.2 | 1.0 | 0.7 | 3PH / 208-230/460V |
| 3K152WT0 | 63 | 238 | 44 | 3.0 | 1.5 | 1.1 | 1PH / 115/208-230V |
| 3K152WT3 | 63 | 238 | 44 | 3.0 | 1.5 | 1.1 | 3PH / 208-230/460V |
| 3K162WT3 | 63 | 238 | 63 | 4.3 | 3.0 | 2.2 | 3PH / 208-230/460V |

Note: All motors are rated at 3450 rpm except model 3K392BT3 which is rated at 1725. All models listed are equipped with a Viton®/Carbon/Ceramic chemical resistant seal. Buna and high temperature seals are also available.

End-Suction Motorized Units with TEFC 213/215JM NEMA Motor

153 TO 380 GPM (579 TO 1,438 LPM)

| | | | | | | | |
|----------|-----|-------|----|-----|-----|-----|--------------------|
| 4K142WT3 | 153 | 579 | 90 | 6.2 | 0.5 | 0.4 | 3PH / 208-230/460V |
| 4K192WT3 | 250 | 946 | 82 | 5.7 | 1.0 | 0.7 | 3PH / 208-230/460V |
| 4K252WT3 | 380 | 1,438 | 84 | 5.8 | 1.0 | 0.7 | 3PH / 208-230/460V |

Note: All motors are rated at 3450 rpm. All models listed are equipped with a Viton®/Carbon/Ceramic chemical resistant seal. Buna and high temperature seals are also available.

Self-Priming Motorized Units with TEFC 56J NEMA Motor

18.5GPM (70 LPM)

| | | | | | | | |
|----------|------|----|----|-----|-----|-----|--------------------|
| 5K112WT0 | 18.5 | 70 | 56 | 3.9 | 1.0 | 0.7 | 1PH / 115/208-230V |
| 5K112WT3 | 18.5 | 70 | 56 | 3.9 | 1.0 | 0.7 | 3PH / 208-230/460V |
| 5K122WT0 | 18.5 | 70 | 82 | 5.7 | 1.0 | 0.7 | 1PH / 115/208-230V |
| 5K122WT3 | 18.5 | 70 | 82 | 5.7 | 2.0 | 1.5 | 3PH / 208-230/460V |

Note: All motors are rated at 3450 rpm. All models listed are equipped with a Viton®/Carbon/Ceramic chemical resistant seal. Buna and high temperature seals are also available.

Accessories

ENSURING MAXIMUM PUMP PERFORMANCE



Demand Genuine Cat Pump Accessories

Cat Pumps offers a wide range of accessories, with all adhering to the same exacting standards as its pumps. A pumping system's ongoing performance is as good as its weakest component, which is why accessory components are rigorously tested and evaluated. The goal is to provide the best system value by offering pumps and accessories that exceed your performance and reliability expectations, helping you realize the lowest possible life cycle cost.

Accessories are listed in brochures grouped by the pumping system function; pump outlet controls, pump inlet controls, belt drive, direct drive, operator and specialty controls. All can be downloaded from catpumps.com. Inlet and discharge hoses, by-pass hose assemblies and fittings are available and can be found in dedicated product data sheets at catpumps.com.

System Configuration

Cat Pumps' skilled technical sales staff has extensive experience in hundreds of applications and will work with you to determine the best configuration for your application. A wide variety of options are offered to fit any installation.

Base

System design starts with choosing the base that best fits your application. Numerous base configurations are available to meet space, portability, sound and material demands.

- Standard • Vertically Stacked • Portable • Enclosed • Multiple Pump

Power Source

Evaluate which power source will best fit the needs of your installation. A qualified and proven staff with extensive experience can assist in recommending the correct product for any power source available.

- Electric • Gas • Diesel • Hydraulic • Pneumatic

Drive Package

A wide variety of drive packages are available to compliment your power source of choice.

- Belt • Direct Drive • Gearbox • Flex Coupling/Bell Housing • Clutch

Accessories

Choose from hundreds of high-quality genuine Cat Pumps accessories to ensure optimum system performance and life.

- Regulator • Unloader • Relief / Pop-off Valve • Pressure Gauge
- Pulsation Dampener • Captive Acceleration Tube (C.A.T.)
- Inlet Filter / Strainer • Guns • Oil



Advanced Control Options



Ask about Cat Pumps' wide variety of advanced control options which is designed to help ensure maximum system performance, as well as provide maximum system protection. Some options include:

- Variable Frequency Drives
- PID Loop (varies speed of pump to maintain system pressure)
- Multiple Pump Systems
- Low-Pressure Seal Monitors
- Auto Shutdowns (Temperature and Low Inlet Pressure)

Other control options to suit your application needs are available upon request.